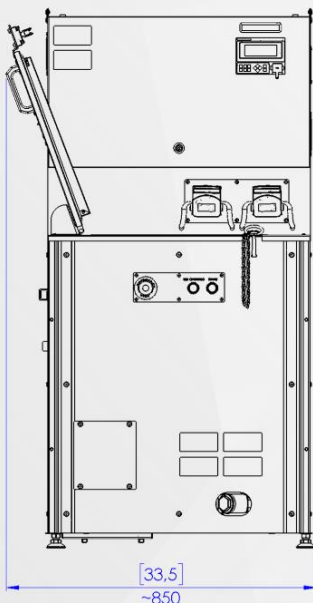


Kooptech® WD110/60, WD230/50

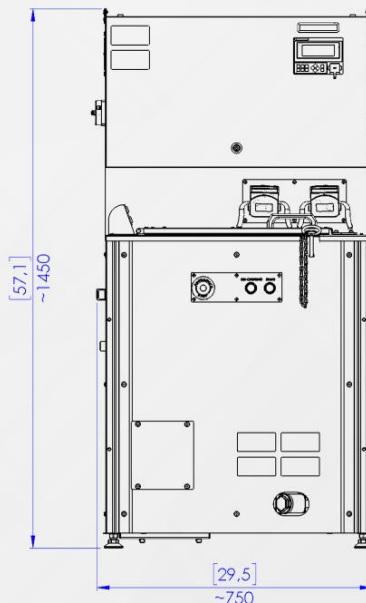
- Fast, reliable washing & drying, at low temperature
- Duration of full cycle:
washing + drying = approx. 4.5 min
- More than 13 cycles per hour
- 3D glasses are loaded into a Washer-Dryer in Kooptech® 3D glasses Baskets
- Kooptech® Washer-Dryer can be used various types of 3D glasses
- Various supply voltage options available
- Certificates



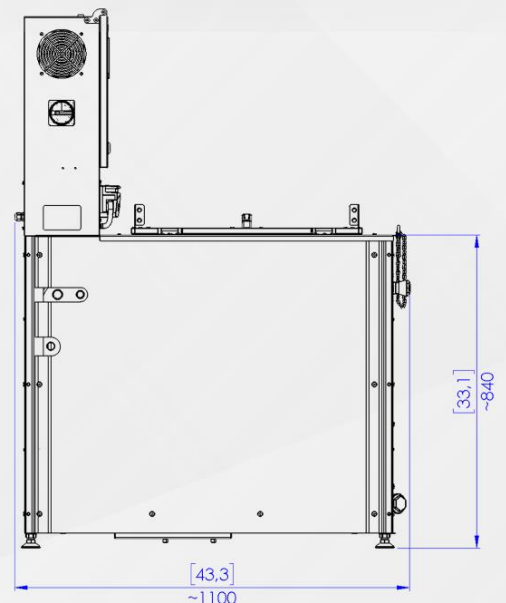
• Dimensions



front view
main lid opened



front view
main lid closed



side view
main lid closed

Kooptech® WD110/60, WD230/50

- **Technical specification**

Technical specification for both Kooptech® WD 110/60 ('American version') and Kooptech® WD 230/50 ('European version') is listed in below table. Ensure to refer to appropriate version of the machine.

parameter	Kooptech® WD 110/60 (US)	Kooptech® WD 230/50 (EU)
weight	180kg (397lbs.)	180kg (397lbs.)
width	750mm (29.5")	750mm (29.5")
depth	1100mm (43.3")	1100mm (43.3")
height	1450mm (57.1")	1450mm (57.1")
nominal supply voltage*	3-phase 208 VAC (±10%), 60Hz	3-phase 400 VAC (±10%), 50Hz
connection power	8.9 kW	8.9 kW
actual power consumption	7.85 kWh	7.85 kWh
power connection	3-phase with grounding, installation fitted with a class K5 fuse (30A) or equivalent	3-phase with grounding, installation fitted with a class K5 fuse (30A) or equivalent
water inlet temperature	cold water, max 15°C (59°F)	cold water, max 15°C (59°F)
water hardness	< 2°dH	< 2°dH
water source efficiency	min. 2500 l/h (660.4 gal./h)	min. 2500 l/h (660.4 gal./h)
water source pressure	min. 3.0 bar (43.5 psig)	min. 3.0 bar (43.5 psig)
actual water consumption	13.5 l/cycle (3.6 gal./cycle)	13.5 l/cycle (3.6 gal./cycle)
water supply connection	G3/4" female thread braided hose, length 100cm (3.3ft)	G3/4" female thread braided hose, length 100cm (3.3ft)
main drain	ø24mm (0.95"), elastic hose, length 150cm (4.9ft)	ø24mm (0.95"), elastic hose, length 150cm (4.9ft)
emergency drain	ø24mm (0.95"), elastic hose, length 150cm (4.9ft)	ø24mm (0.95"), elastic hose, length 150cm (4.9ft)
washing detergent consumption	12 ml/cycle (0.4 oz./cycle)	12 ml/cycle (0.4 oz./cycle)
rinse aid consumption	6 ml/cycle (0.2 oz./cycle)	6 ml/cycle (0.2 oz./cycle)
ambient temperature	min. 15°C (59°F) – max. 30°C (86°F)	min. 15°C (59°F) – max. 30°C (86°F)
relative humidity	max. 90%, no condensation	max. 90%, no condensation
sound level	L _{EQ} < 70dB (A)	L _{EQ} < 70dB (A)

*Other supply voltage versions are available upon request.