

Kooptech® UV-C Disinfection Box for 3d glasses

- **Fast and reliable disinfection of 3d glasses from a majority of viruses, bacteria and fungi**
- **Effectiveness of disinfection process confirmed by laboratory tests**
- Duration of disinfection cycle (approx. 2 min) matches the washing-drying cycle of **Kooptech® Washer-Dryer** (approx. 5min) allowing for coordinated UV-C disinfection after washing and drying
- **2 baskets with 3d glasses can be disinfected in a single cycle**
- Easy and safe to use - can be operated without special training
- **Kooptech® UV-C Disinfection Box** can be used with various types of 3D glasses
- **Various supply voltage options available**
- **Standard UV-C lamps can be easily replaced**
- **Certificates**



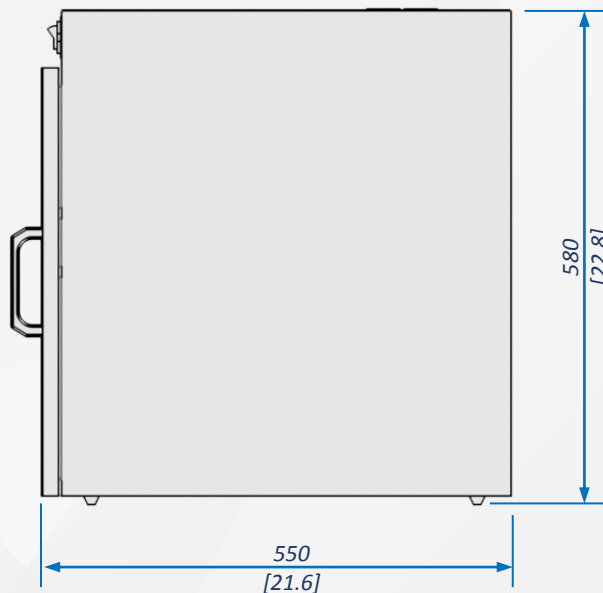
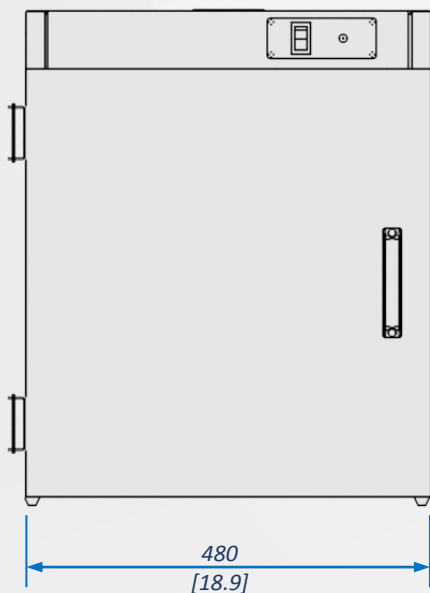
- **Technical specification**

parameter	Kooptech® UV-C DB2
dimensions (W x H x D)	480 mm x 580 mm x 550 mm (18.9" x 22.8" x 21.6")
weight	20 kg (44.1 lbs.)
nominal supply voltage*	1-phase, 110 VAC or 220-240 VAC, 50-60Hz
connection power	150 W
power connection cable length	2 m (6.6 ft) – without a plug**
cycle time	2 min
UV-C lamps specification	3x 36 W UV-C (254 nm wave length)
UV-C lamps life	9000 hrs

*Other supply voltage versions are available upon request

**Appropriate plug suitable for unit's voltage and power rating to be supplied by Customer

- **Dimensions**



Kooptech[®] UV-C Disinfection accessories

- **Universal basket (no holders for 3d glasses) can be used with any other items for their disinfection**
- **Upon request, Kooptech[®] UV-C Disinfection Box can be fitted with flat sanitation trays and racks adjusted to Customer's needs**

